

BALI v3

Bathymetry made Light and Simple

NEW
VERSION



WHAT'S NEW

- ✓ New accessories & echosounders models
- ✓ Suitcase easy to transport & to deploy
- ✓ Integrated & intuitive Webserver



Portable & easy-to-use

Quick to set up
One surveyor can operate it



Professional Single and Dual Frequency Sounding

Ideal for inland waters and coastal survey

Can be upgraded from single to dual frequency



Affordable

All-in-one cost effective GNSS RTK, SBES, modems & software system

No training needed

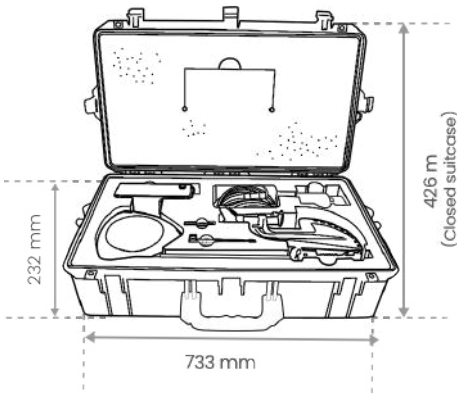
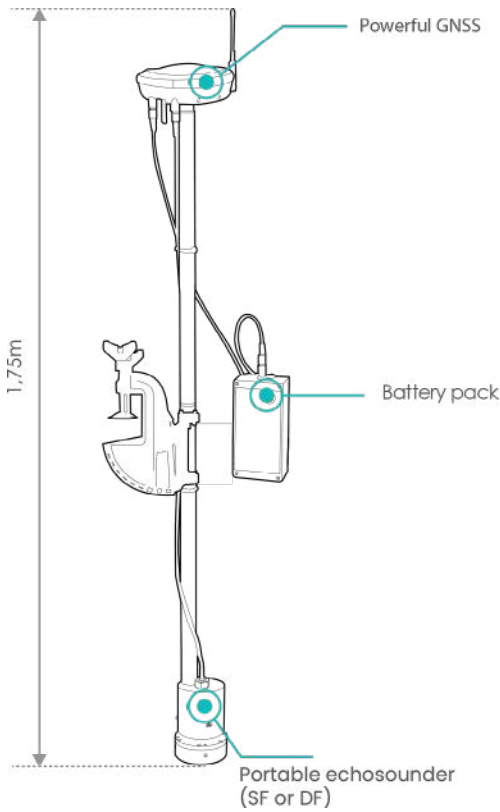
BALI is an autonomous bathymetry survey solution, which is simple to operate, extremely accurate and affordable. It comes with either a single frequency (SF) or a dual frequency (DF) echosounder.

With BALI, hydro surveying is very intuitive. Professional tablets and software are not mandatory, as BALI can work completely stand alone or using any smartphone with its built-in software connected via Wi-Fi.

The integrated smart antenna incorporates GNSS and radio modems to acquire RTK differential corrections in real time to deliver a precision of position of 1cm.

For demanding professionals, the NMEA output makes BALI compatible with any bathymetric software such as QINSy, HYPACK, etc.





Scope of supply

- GNSS antenna with POE cable
- Echosounder
- GSM/UHF antenna (if applicable)
- Battery pack cable & charger
- Rover rod (3 pieces)
- Fixing bar
- Transport case

Key features	
Portable echosounder	200 kHz (SF & DF) - 30 kHz (only DF)
Powerful GNSS	« Powered by Trimble » 240 channels L1/L2 RTK GNSS technology
Technical characteristics	
Positioning	L1/L2 GPS, Glonass, BeiDou, Galileo enable (options available) RTK (1 cm) - RTX (4 cm) - SBAS (0,5 m)
Sounding	<ul style="list-style-type: none"> 200 kHz frequency (SF & DF) Range : 200 m - accuracy : 0,2% depth 9° beam width 30 kHz frequency (only DF) Range : 200 m - accuracy : 0,2% depth 26° beam width
Radio communication	GSM Long-range UHF (403-473 MHz)
I/O interfaces	Wifi Ethernet
Data format	<ul style="list-style-type: none"> Position Latitude, Longitude, Altitude (WGS84) Sounding Water height (meter)
Software interface	Web browser

Physical characteristics	
Dimensions	SF & DF series - height : 1,75 m
Poids	SF & DF series - 11 kg (1 suitcase)
Environment	<ul style="list-style-type: none"> Temperature Operating : -10°C to +40°C Storage : -20°C to +55°C Ingress protection IP67
Monitoring (LEDs)	2 LEDs for GPS reception & UHF link
Power	Batterie type : rechargeable high capacity NiMH Autonomy : 5 to 10 hours (mode dependent) External DC : 12VDC (cable in option required)

Options et accessoires	
<ul style="list-style-type: none"> L-Band Trimble CenterPoint RTX corrections GNSS BeiDou et Galileo Internal UHF modem Power cable for external input 	

Integrated Webserver

- Line tracking, map background integration, waypoint creation, etc.
- Wifi connection with smartphone, tablet or PC
- Remote maintenance and updates



Single beam bathymetric surveys

